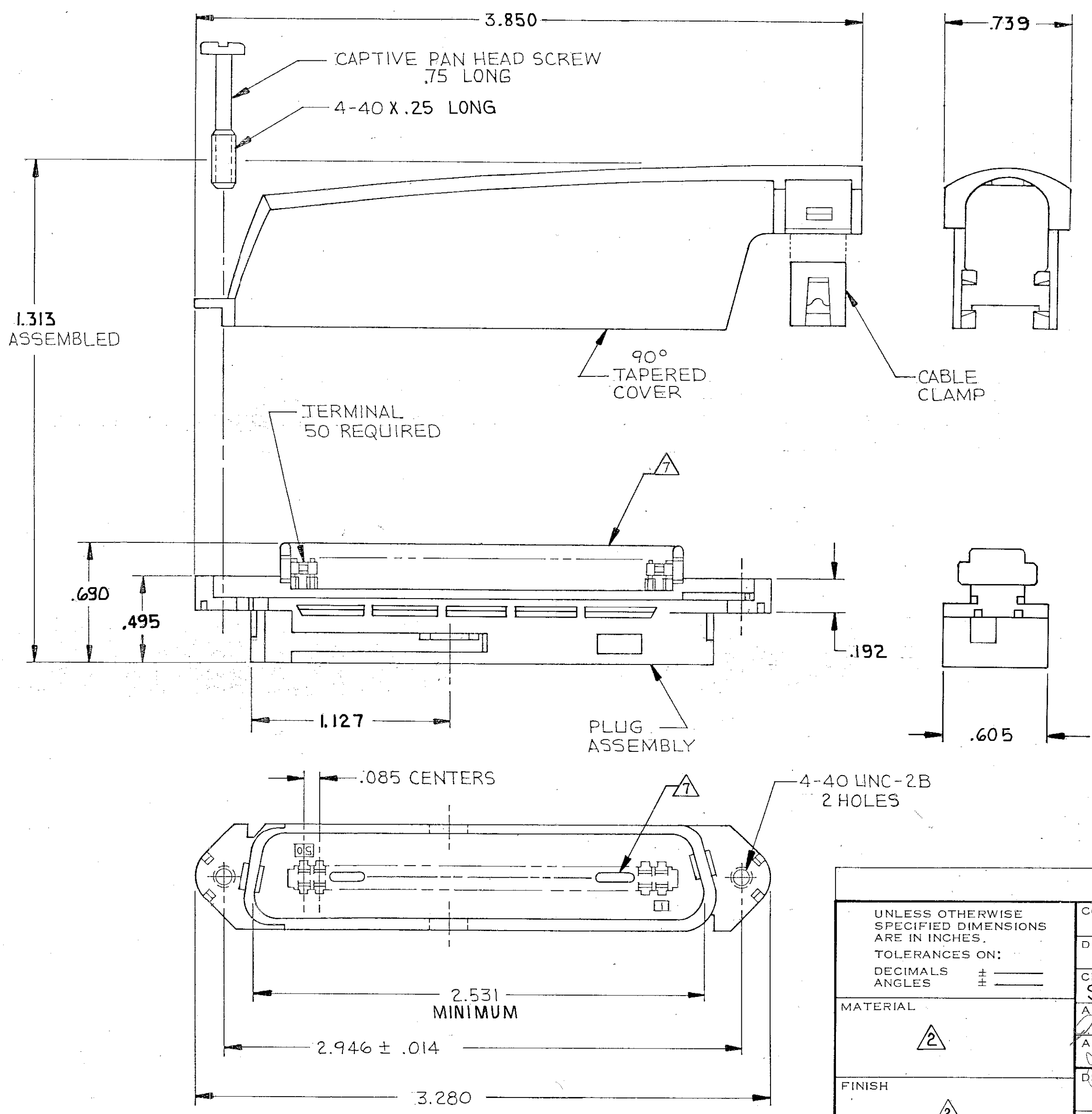


THIS DRAWING IS UNPUBLISHED. RELEASED FOR PUBLICATION, 19  
 © COPYRIGHT 19 BY AMP INCORPORATED, HARRISBURG, PA. ALL INTERNATIONAL RIGHTS RESERVED. AMP PRODUCTS MAY BE COVERED BY U.S. AND FOREIGN PATENTS AND/OR PATENTS PENDING.

REVISIONS					DATE	APPROVED
N					11-30-89	LHS TC
P					3-19-01	DD EB



1. THE CONTACT SURFACES OF THE TERMINALS ARE COATED WITH LUBRICANT.
  2. MATERIAL: HOUSING, COVER AND CABLE CLAMP - THERMOPLASTIC. TERMINALS - GOLD OVER NICKEL PLATED HIGH STRENGTH COPPER ALLOY. HARDWARE - ZINC PLATED STEEL.
  3. THIS KIT SHIPPED UNASSEMBLED.
  4. WIRE SIZE: 22 AWG SOLID OR 22 AWG, 7 STRANDS OF COPPER CONDUCTORS. MAXIMUM INSULATION DIAMETER OF .045 IS ACCEPTABLE FOR MOST APPLICATIONS.
  5. ALL DIMENSIONS SHOWN ARE MAXIMUM UNLESS OTHERWISE SPECIFIED.
  6. KIT SHIPPED IN POLY BAG FORM.
- △ CORING MAY OR MAY NOT APPEAR AND IS AT THE DISCRETION OF AMP INCORPORATED.

.550	BLACK	552382-1
.500	COLOR	PART NO

UNLESS OTHERWISE SPECIFIED DIMENSIONS ARE IN INCHES. TOLERANCES ON: DECIMALS ± _____ ANGLES ± _____	CONTRACT NO	<b>AMP</b>   AMP INCORPORATED Harrisburg, Pa. 17105	
	DR <i>J. Johnson 7-8-86</i>		
MATERIAL △	CHK <i>Stephen Doss 7-17-86</i>	NAME PLUG KIT, 50 POSITION, C SLOT, SCREW LOCK, TAPERED COVER, CHAMP-LOK	
	APPD <i>[Signature] 7-17-86</i>	SIZE <b>C</b>	FSCM NO <b>00779</b>
FINISH △	DSGN APPD <i>[Signature] 7-17-86</i>	DRAWING NO <b>552382</b>	
	OTHER APPD	SCALE 2:1	SHEET 1 OF 1

552382